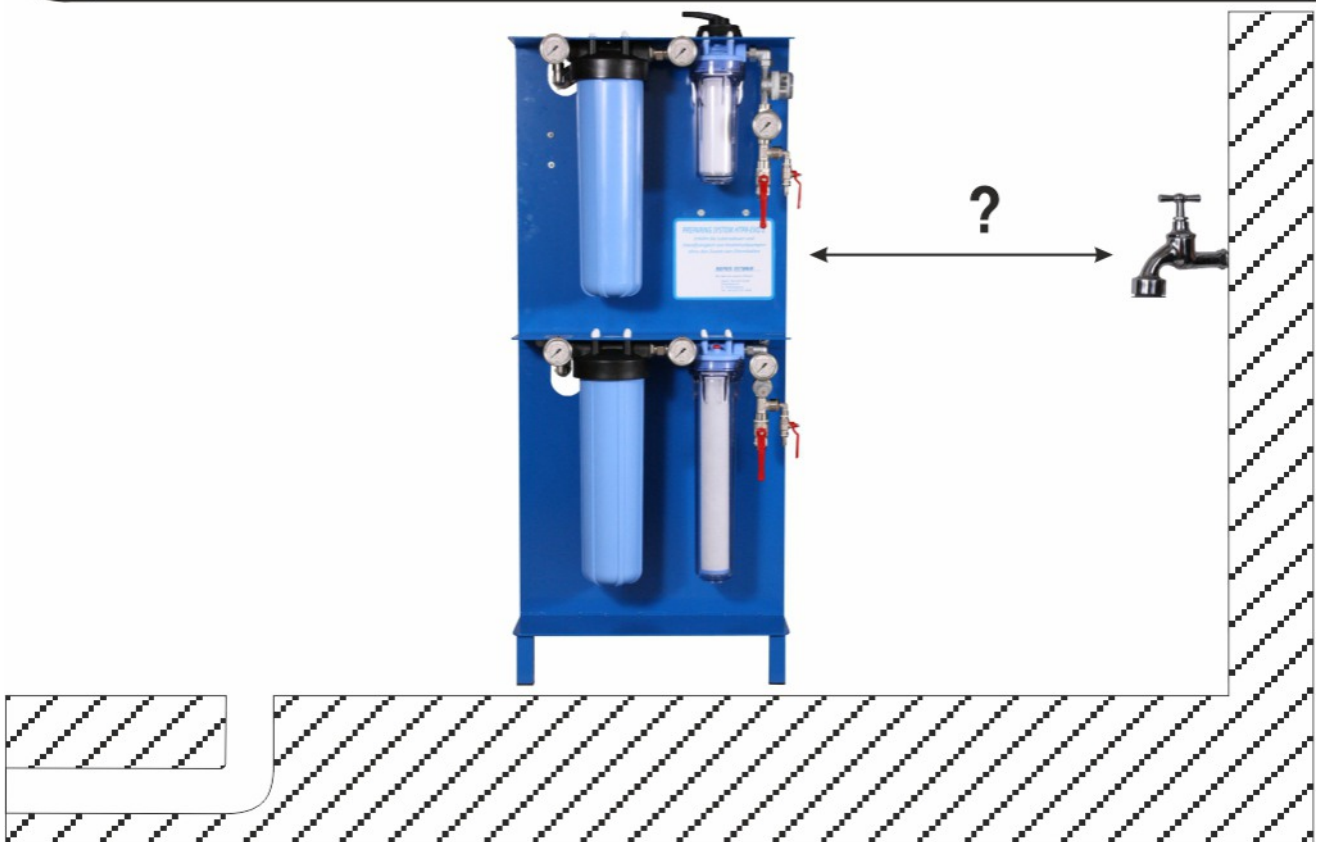


The installation of **ZERO** is very easy

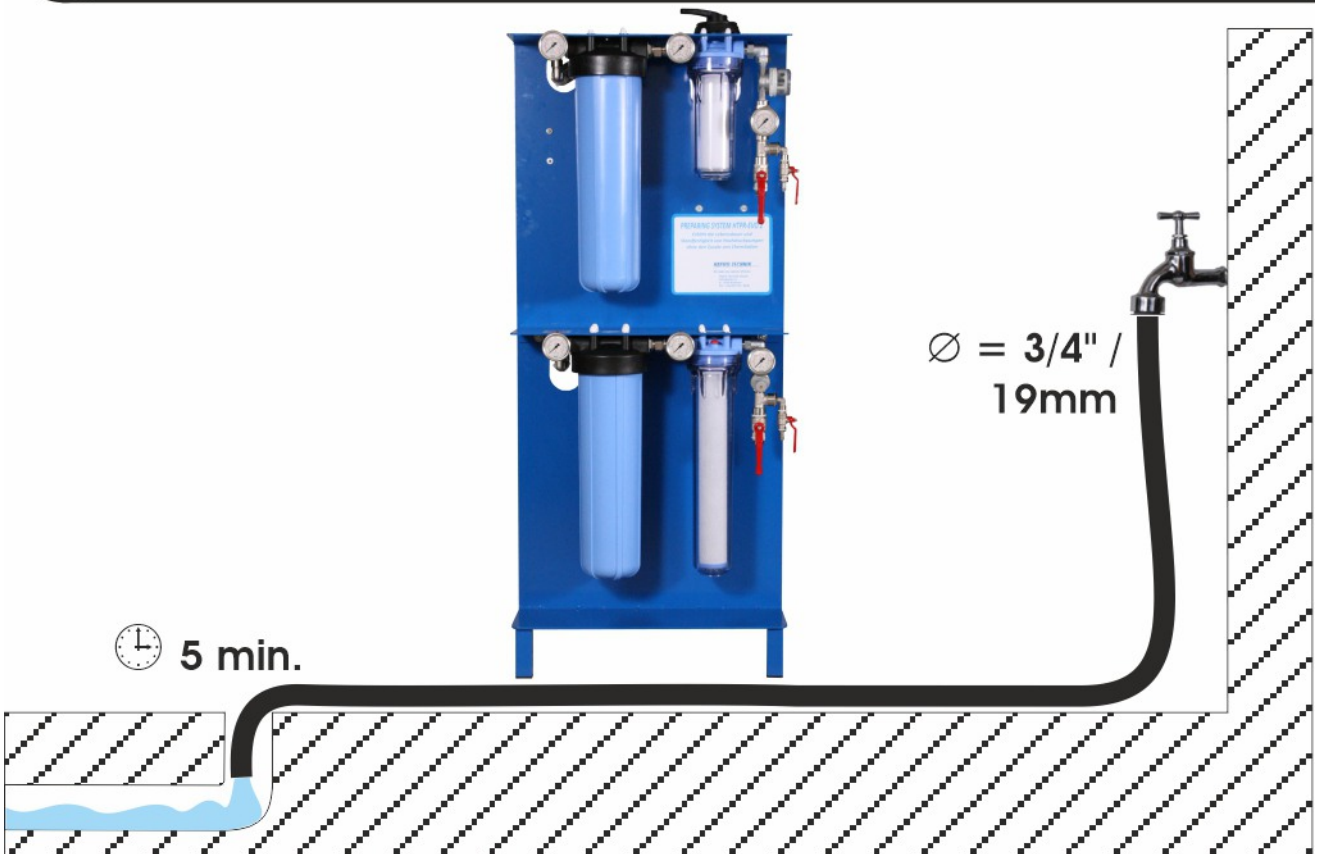
1 POSITIONING



2 INSERT FILTERS



3 FLUSHING SUPPLY LINE



4 CONNECTING SUPPLY LINE

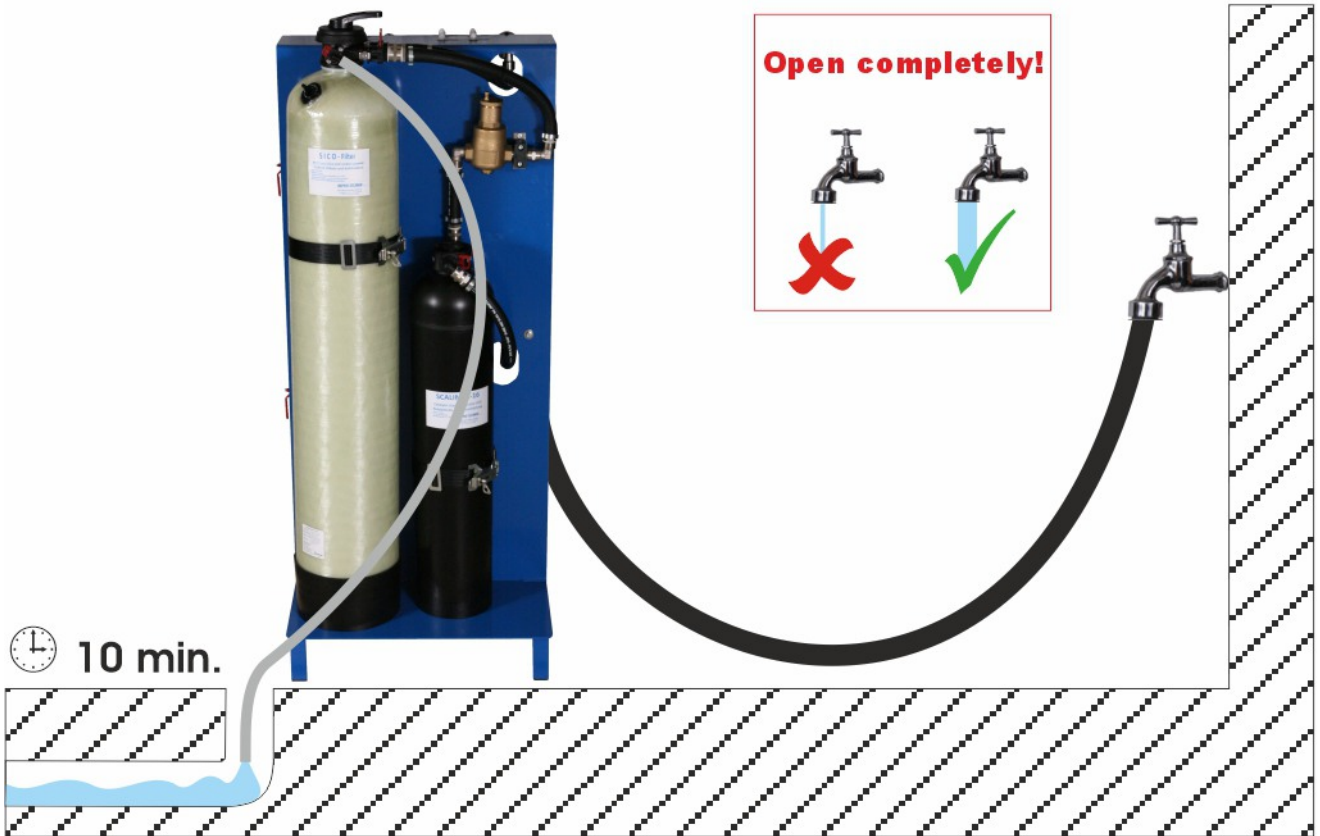


5 ALIGNE TO POSITION "BACKWASH"



6

DE-AERATING/BACKWASH



7

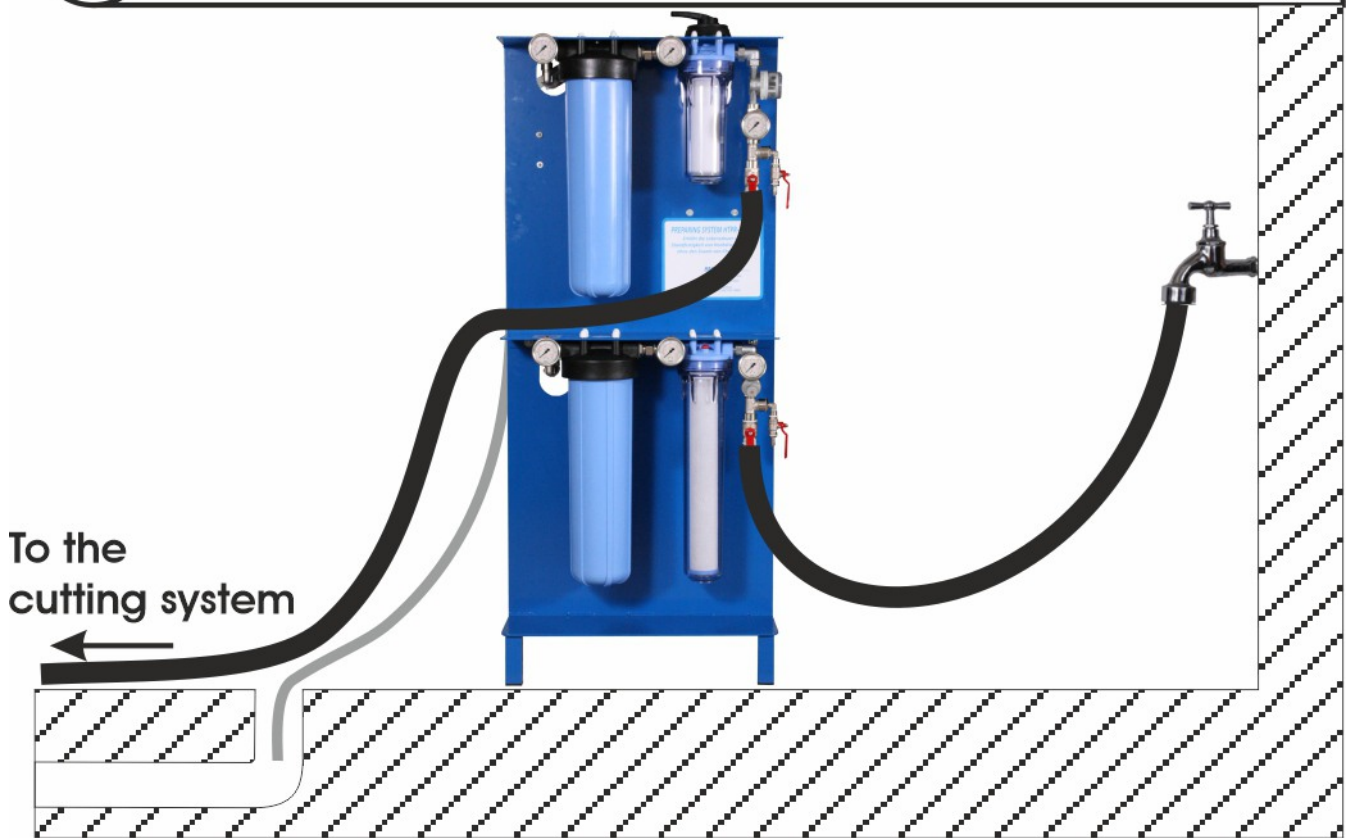
ALIGN TO POSITION "FILTERING"

Filtering (Normal operation)

Back Wash



8 CONNECTING OUTLET LINE



Installation is very easy and can be done in less than 30 minutes.